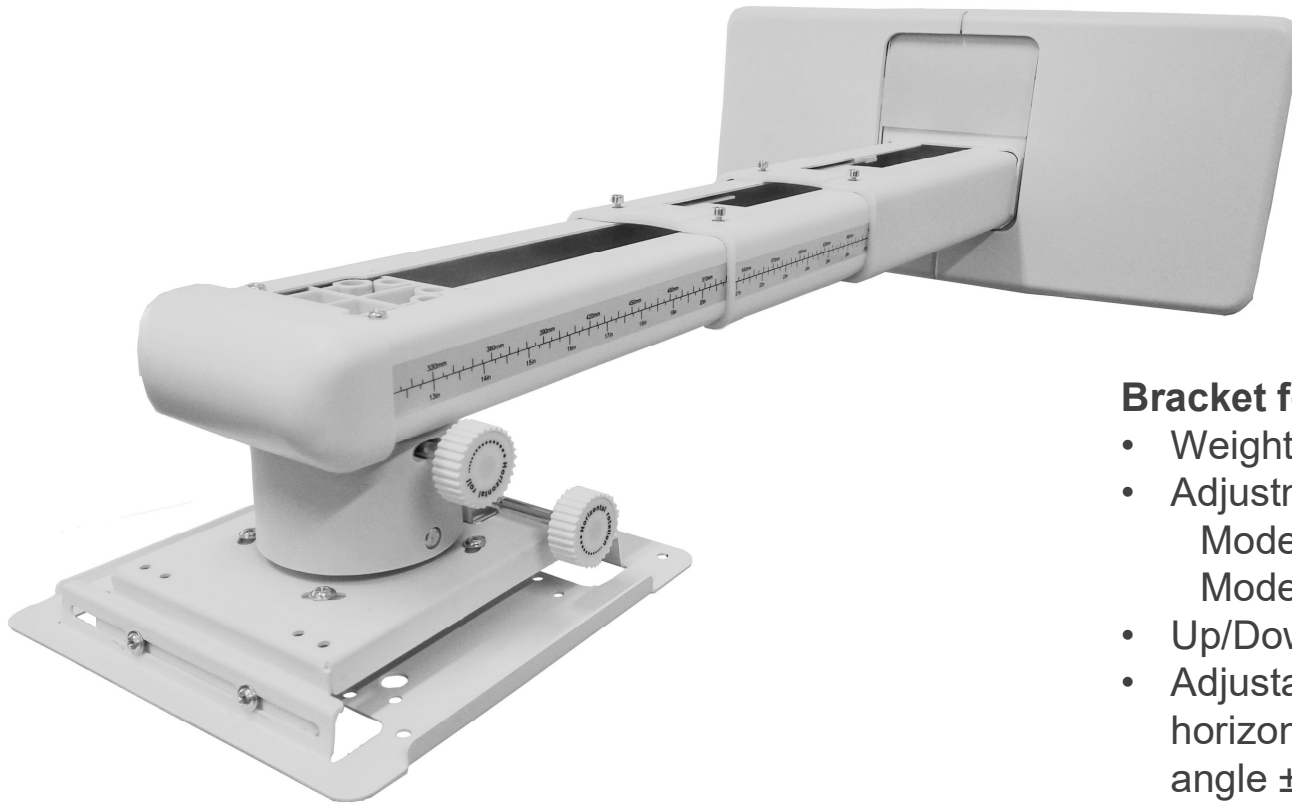


Short Throw Projector Bracket SP-Series

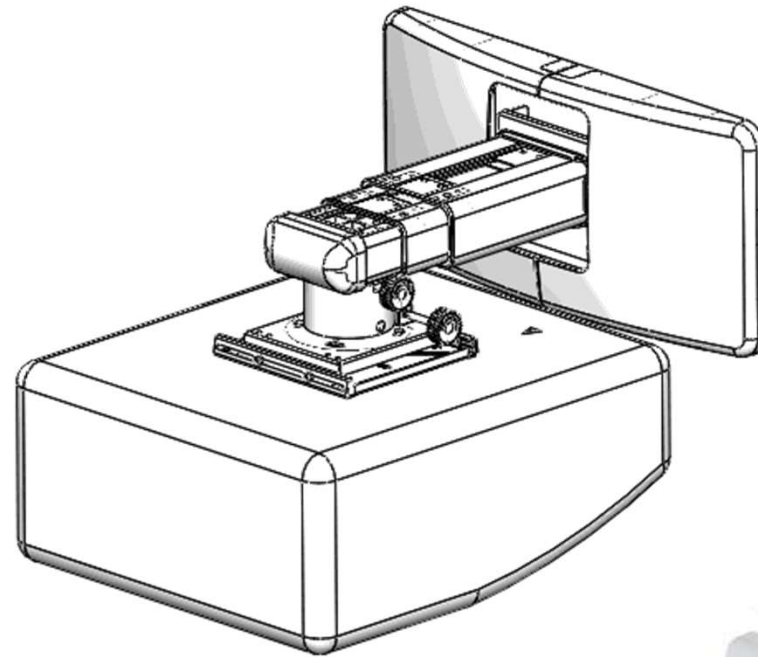


Bracket for Short Throw Projector

- Weight Capacity: 20kg
- Adjustment Length:
 - Model SP-200: 365-635mm
 - Model SP-300: 665-1200mm
- Up/Down Adjustment: 90mm
- Adjustable angle: vertical inclination, horizontal angle, horizontal swing angle $\pm 5^\circ$ (3 directions)



Short Throw Projector Bracket SP-Series



GIF picture will auto start

